
Multilayer Ceramic Chip Capacitors

Introduction

Multilayer Surface Mount Ceramic Capacitors are constructed by screen printing alternative layers of internal metallic electrodes onto ceramic dielectric materials and firing into a concrete monolithic body, then completed by application of metal end terminations which are fired to assure permanent bonding with the individual internal electrodes.

Multilayer ceramic capacitors have various features such as large capacitance values in small sizes and excellent high frequency characteristics.

Moreover, chip capacitors can be used on surface mount assembly equipment. Our fully integrated manufacturing and total quality control systems ensure unprecedented high standards of quality and reliability.

Chip Capacitor Selection

Selection of the most suitable capacitor for any application is based on the following:

Dielectric Type

The choice of dielectric is largely determined by the temperature stability required.

COG (NPO)

Capacitance change with temperature is 0-30ppm/°C which is less than -0.3%/°C from -55°C to +125°C. Typical capacitance change with life is less than -0.1% for NPOs, one-fifth that shown by most other dielectrics. NPO formulations show no aging characteristics.

X7R/X5R

Its temperature variation of capacitance is within $\pm 15\%$ from -55°C to +125°C (-55°C to +85°C for X5R). The capacitance change is non-linear.

Z5U

Despite their capacitance instability, Z5U formulations are very popular because of their small size, temperature range low ESL, low ESR and excellent frequency response. These features are particularly important for decoupling application where only a minimum capacitance value is required.

Y5V

Y5V formulations are for general purpose use in a limited temperature range. They have a wide temperature characteristic of +22% - 82% capacitance change over the operating temperature range of -30°C to +85°C. Y5Vs high dielectric constant allows the manufacture of very high capacitance values (up to 22MF) in small physical sizes.

Capacitance Value & Tolerance

Determined by circuit requirements. Note that chip prices decrease with lower capacitance value and looser tolerance.

Voltage

Determined by circuit requirements. Units are designed to exceed the withstanding voltage specification, i.e., the user need not incorporate an additional safety margin.

Capacitor Size

Select the smallest unit permitted by the circuit constraints that provides the required capacitance and voltage rating. All Passive Plus Inc. capacitors conform to EIA specifications.

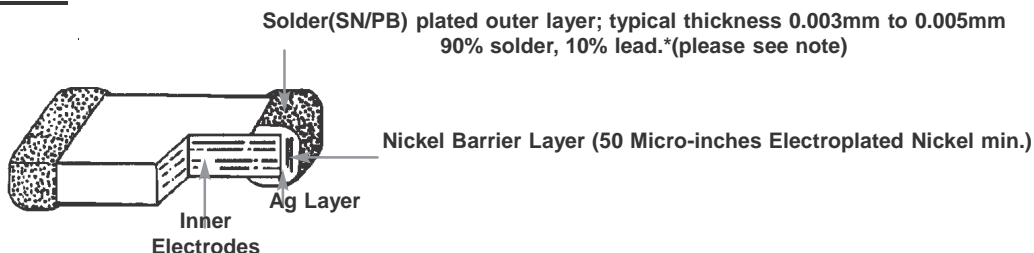
Capacitor Termination

Termination choice is largely determined by the chip attachment method. Silver-palladium is adequate for most applications involving soldering or solder reflow.

Nickel barrier is standard and recommended for units exposed to repeated solder cycles, to minimize leaching of the termination.

Multilayer Ceramic Chip Capacitors

Construction



Example

PPI-GMC21	CG	102	J	50	N	T																		
Size Code	Dielectric	Capacitance (pF)	Capacitance Tolerance (EIA Code)	Voltage	Termination	Packaging Code																		
	CG (COG) (NPO) X7R or X5R Z5U Y5V		B ±0.1pf for ≤10pF C ±0.25pF for ≤10pF D ±0.5pF for ≤10pF F ±1% G ±2% J ±5% K ±10% M ±20% Z -20%~+80%		6r3 6.3 DC 10 10 DC 16 16 DC 25 25 DC 50 50 DC 100 100 DC 200 200 DC	N Nickel Barrier T Tape and Reel																		
<p>Capacitance values are represented in 3 digits, and expressed in pF. The first two digits are significant, and the third is the number of zeros. The letter "R" is used as a decimal point.</p> <table border="1"> <tr><td>0R5</td><td>0.5pF</td></tr> <tr><td>5R0</td><td>5pF</td></tr> <tr><td>100</td><td>10pF</td></tr> <tr><td>101</td><td>100pF</td></tr> <tr><td>102</td><td>1000pF</td></tr> <tr><td>103</td><td>.01mF</td></tr> <tr><td>104</td><td>.1mF</td></tr> <tr><td>105</td><td>1.0mF</td></tr> <tr><td>106</td><td>10mF</td></tr> </table>							0R5	0.5pF	5R0	5pF	100	10pF	101	100pF	102	1000pF	103	.01mF	104	.1mF	105	1.0mF	106	10mF
0R5	0.5pF																							
5R0	5pF																							
100	10pF																							
101	100pF																							
102	1000pF																							
103	.01mF																							
104	.1mF																							
105	1.0mF																							
106	10mF																							

*Note for Lead Free: Passive Plus Inc. is beginning to phase in Lead-Free products. Upon checking availability with the factory, please specify "TLF" at the end of the part number, so the sales team knows you require lead -free product. When you receive the parts you will notice "LF" at the end of the Lot Code indicating the parts are lead -free.

0201

DIMENSION (MM)

GMC02

L		0.6 ρ 0.03							
W		0.3 ρ 0.03							
T(MAX)		0.3 ρ 0.03							
BW		0.15 ρ 0.05							
dielectric		NPO/COG		X5R		X7R		Y5V/Z5U	
Rated Voltage		25		6.3	10	6.3	10	16	6.3
Cap. Range									
0.5pF	0R5								
1.0	1R0								
1.2	1R2								
1.5	1R5								
1.8	1R8								
2.2	2R2								
2.7	2R7								
3.3	3R3								
3.9	3R9								
4.7	4R7								
5.6	5R6								
6.8	6R8								
8.2	8R2								
10	100								
12	120								
15	150								
18	180								
22	220								
27	270								
33	330								
39	390								
47	470								
56	560								
68	680								
82	820								
100	101								
120	121								
150	151								
180	181								
220	221								
270	271								
330	331								
390	391								
470	471								
560	561								
680	681								
820	821								
1.0nF	102								
1.2	122								
1.5	152								
1.8	182								
2.2	222								
2.7	272								
3.3	332								
3.9	392								
4.7	472								
5.6	562								
6.8	682								
8.2	822								
10	103								
12	123								
15	153								
18	183								
22	223								
27	273								
33	333								
39	393								
47	473								
56	563								
68	683								
82	823								
100	104								
120	124								
150	154								
180	184								
220	224								
270	274								
330	334								
390	394								
470	474								
560	564								
680	684								
820	824								
1.0uF	105								
2.2	225								

COG/NPO

		GMC21			GMC31		GMC32			GMC40		GMC43		GMC45		GMC55		GMC57			
Type		0805			1206		1210			1808		1812		1825		2220		2225			
Length	mm	2.0 ρ 0.3			3.2 ρ 0.3		3.2 ρ 0.3			4.57 ρ 0.25		4.5 ρ 0.35		4.5 ρ 0.35		5.7 ρ 0.4		5.7 ρ 0.4			
	Inches	0.08 ρ 0.012			0.125 ρ 0.012		0.125 ρ 0.012			0.18 ρ 0.01		0.18 ρ 0.014		0.18 ρ 0.014		0.225 ρ 0.016		0.225 ρ 0.016			
Width	mm	1.25 ρ 0.2			1.6 ρ 0.2		2.5 ρ 0.3			2.03 ρ 0.25		3.2 ρ 0.3		6.3 ρ 0.4		5.0 ρ 0.4		6.3 ρ 0.4			
	Inches	0.05 ρ 0.008			0.063 ρ 0.008		0.10 ρ 0.012			0.08 ρ 0.01		0.125 ρ 0.012		0.25 ρ 0.016		0.197 ρ 0.016		0.25 ρ 0.016			
Thickness	mm	1.3			1.6		1.8			2.03		1.8		1.8		1.8		1.8			
	Inches	0.051			0.063		0.07			0.08		0.07		0.07		0.07		0.07			
Termination Band	mm	Min	0.25	0.75	0.25	0.75	0.25	0.75	0.25	0.75	0.25	0.75	0.25	0.75	0.25	0.75	0.25	0.75	0.25	0.75	
		Inches	Max	0.03	0.03	0.03	0.03	0.03	0.03	0.03	0.03	0.03	0.03	0.03	0.03	0.03	0.03	0.03	0.03	0.03	0.03
			mm	0.01	0.01	0.01	0.01	0.01	0.01	0.01	0.01	0.01	0.01	0.01	0.01	0.01	0.01	0.01	0.01	0.01	0.01
Band Gap	mm	0.5			1.4		1.4			2.0		2.2		2.2		2.9		2.9			
	Inches	0.019			0.055		0.055			0.078		0.087		0.087		0.114		0.114			
Rated Voltage d.c.		16	25	50	25	50	16	25	50/63	50/63	50/63	50/63	50/63	50/63	50/63	50/63	50/63	50/63			
Cap. Range	Code																				
0.5pF	0R5																				
1.0	1R0																				
1.2	1R2																				
1.5	1R5																				
1.8	1R8																				
2.2	2R2																				
2.7	2R7																				
3.3	3R3																				
3.9	3R9																				
4.7	4R7																				
5.6	5R6																				
6.8	6R8																				
8.0	8R0																				
10	100																				
12	120																				
15	150																				
18	180																				
22	220																				
27	270																				
33	330																				
39	390																				
47	470																				
56	560																				
68	680																				
82	820																				
100	101																				
120	121																				
150	151																				
180	181																				
220	221																				
270	271																				
330	331																				
390	391																				
470	471																				
560	561																				
680	681																				
820	821																				
1.0nF	102																				
1.2	122																				
1.5	152																				
1.8	182																				
2.2	222																				
2.7	272																				
3.3	332																				
3.9	392																				
4.7	472																				
5.6	562																				
6.8	682																				
8.2	822																				
10	103																				
12	123																				
15	153																				
18	183																				
22	223																				
27	273																				
33	333																				
39	393																				
47	473																				
56	563																				
68	683																				
82	823																				
100	104																				
120	124																				
150	154																				
180	184																				
220	224																				
270	274																				
330	334																				
390	394																				
470	474																				
560	564																				
680	684																				
820	824																				
1.0uF	105																				
2.2	225																				
3.3	335																				
4.7	475																				
6.8	685																				
10	106																				
22	226																				
33	336																				
47	476																				
100	107																				

COG/NPO (cont.)

		GMC21		GMC31		GMC32		GMC40		GMC43		GMC45		GMC55		GMC57	
Type		0805		1206		1210		1808		1812		1825		2220		2225	
Length	mm	2.0 ρ 0.3		3.2 ρ 0.3		3.2 ρ 0.3		4.57 ρ 0.25		4.5 ρ 0.35		4.5 ρ 0.35		5.7 ρ 0.4		5.7 ρ 0.4	
	Inches	0.08 ρ 0.012		0.125 ρ 0.012		0.125 ρ 0.012		0.18 ρ 0.01		0.18 ρ 0.014		0.18 ρ 0.014		0.225 ρ 0.016		0.225 ρ 0.016	
Width	mm	1.25 ρ 0.2		1.6 ρ 0.2		2.5 ρ 0.3		2.03 ρ 0.25		3.2 ρ 0.3		6.3 ρ 0.4		5.0 ρ 0.4		6.3 ρ 0.4	
	Inches	0.05 ρ 0.008		0.063 ρ 0.008		0.10 ρ 0.012		0.08 ρ 0.01		0.125 ρ 0.012		0.25 ρ 0.016		0.197 ρ 0.016		0.25 ρ 0.016	
Thickness	mm	1.3		1.6		1.8		2.03		1.8		1.8		1.8		1.8	
	Inches	0.051		0.063		0.07		0.08		0.07		0.07		0.07		0.07	
Termination Band	mm	Min	Max	Min	Max	Min	Max	Min	Max	Min	Max	Min	Max	Min	Max	Min	Max
		0.25	0.75	0.25	0.75	0.25	0.75	0.25	0.75	0.25	0.75	0.25	0.75	0.25	0.75	0.25	0.75
	Inches	0.01	0.03	0.01	0.03	0.01	0.03	0.01	0.03	0.01	0.03	0.01	0.03	0.01	0.03	0.01	0.03
Band Gap	mm	0.5		1.4		1.4		2.0		2.2		2.2		2.9		2.9	
	Inches	0.019		0.055		0.055		0.078		0.087		0.087		0.114		0.114	
Rated Voltage d.c.		100	200	100	200	100	200	100	200	100	200	100	200	100	200	100	200
Cap. Range	Code																
0.5pF	0R5																
1.0	1R0																
1.2	1R2																
1.5	1R5																
1.8	1R8																
2.2	2R2																
2.7	2R7																
3.3	3R3																
3.9	3R9																
4.7	4R7																
5.6	5R6																
6.8	6R8																
8.2	8R2																
10	100																
12	120																
15	150																
18	180																
22	220																
27	270																
33	330																
39	390																
47	470																
56	560																
68	680																
82	820																
100	101																
120	121																
150	151																
180	181																
220	221																
270	271																
330	331																
390	391																
470	471																
560	561																
680	681																
820	821																
1.0nF	102																
1.2	122																
1.5	152																
1.8	182																
2.2	222																
2.7	272																
3.3	332																
3.9	392																
4.7	472																
5.6	562																
6.8	682																
8.2	822																
10	103																
12	123																
15	153																
18	183																
22	223																
27	273																
33	333																
39	393																
47	473																
56	563																
68	683																
82	823																
100	104																
120	124																
150	154																
180	184																
220	224																
270	274																
330	334																
390	394																
470	474																
560	564																
680	684																
820	824																
1.0uF	105																
2.2	225																
3.3	335																
4.7	475																
6.8	685																
10	106																
22	226																
33	336																
47	476																
68	686																
100	107																

X7R (cont)

		GMC21			GMC31		GMC32			GMC40			GMC43			GMC45			GMC55			GMC57			
Type		0805			1206		1210			1808			1812			1825			2220			2225			
Length	mm	2.0±0.3			3.2±0.3		3.2±0.3			4.57±0.25			4.5±0.35			4.5±0.35			5.7±0.4			5.7±0.4			
	Inches	0.08±0.012			0.125±0.012		0.125±0.012			0.18±0.01			0.18±0.014			0.18±0.014			0.225±0.016			0.225±0.016			
Width	mm	1.25±0.2			1.6±0.2		2.5±0.3			2.03±0.25			3.2±0.3			6.3±0.4			5.0±0.4			6.3±0.4			
	Inches	0.05±0.008			0.063±0.008		0.10±0.012			0.08±0.01			0.125±0.012			0.25±0.016			0.197±0.016			0.25±0.016			
Thickness	mm	1.3			1.6		1.8			2.03			1.8			1.8			1.8			1.8			
	Inches	0.051			0.063		0.07			0.08			0.07			0.07			0.07			0.07			
Termination Band	mm	Min	0.25		Min	0.25		Min	0.25		Min	0.25		Min	0.25		Min	0.25		Min	0.25		Min	0.25	
		Max	0.75		Max	0.75		Max	0.75		Max	0.75		Max	0.75		Max	0.75		Max	0.75		Max	0.75	
		Inches	0.01		0.03		0.01		0.03		0.01		0.03		0.01		0.03		0.01		0.03		0.01		0.03
Band Gap	mm	0.5			1.4		1.4			2.0			2.2			2.2			2.9			2.9			
	Inches	0.019			0.055		0.055			0.078			0.087			0.087			0.114			0.114			
Rated Voltage d.c.		50	100	200	50	100	200	50	100	200	50	100	200	50	100	200	50	100	200	50	100	200	50	100	200
Cap. Range	Code																								
0.5pF	0R5																								
1.0	1R0																								
1.2	1R2																								
1.5	1R5																								
1.8	1R8																								
2.2	2R2																								
2.7	2R7																								
3.3	3R3																								
3.9	3R9																								
4.7	4R7																								
5.6	5R6																								
6.8	6R8																								
8.2	8R2																								
10	100																								
12	120																								
15	150																								
18	180																								
22	220																								
27	270																								
33	330																								
39	390																								
47	470																								
56	560																								
68	680																								
82	820																								
100	101																								
120	121																								
150	151																								
180	181																								
220	221																								
270	271																								
330	331																								
390	391																								
470	471																								
560	561																								
680	681																								
820	821																								
1.0nF	102																								
1.2	122																								
1.5	152																								
1.8	182																								
2.2	222																								
2.7	272																								
3.3	332																								
3.9	392																								
4.7	472																								
5.6	562																								
6.8	682																								
8.2	822																								
10	103																								
12	123																								
15	153																								
18	183																								
22	223																								
27	273																								
33	333																								
39	393																								
47	473																								
56	563																								
68	683																								
82	823																								
100	104																								
120	124																								
150	154																								
180	184																								
220	224																								
270	274																								
330	334																								
390	394																								
470	474																								
560	564																								
680	684																								
820	824																								
1.0uF	105																								
2.2	225																								
3.3	335																								
4.7	475																								
6.8	685																								
10	106																								
22	226																								

X5R

		GMC21			GMC31			GMC32			GMC40			GMC43			GMC45			GMC55			GMC57			
Type		0805			1206			1210			1808			1812			1825			2220			2225			
Length	mm	2.0±0.3			3.2±0.3			3.2±0.3			4.57±0.25			4.5±0.35			4.5±0.35			5.7±0.4			5.7±0.4			
	Inches	0.08±0.012			0.125±0.012			0.125±0.012			0.18±0.01			0.18±0.014			0.18±0.014			0.225±0.016			0.225±0.016			
Width	mm	1.25±0.2			1.6±0.2			2.5±0.3			2.03±0.25			3.2±0.3			6.3±0.4			5.0±0.4			6.3±0.4			
	Inches	0.05±0.008			0.063±0.008			0.10±0.012			0.08±0.01			0.125±0.012			0.25±0.016			0.197±0.016			0.25±0.016			
Thickness	mm	1.5			1.8			2.8			3.0			3.0			3.2			3.5			3.5			
	Inches	0.059			0.070			0.110			0.118			0.118			0.126			0.138			0.138			
Termination Band	mm	Min	0.25		Min	0.25		Min	0.25		Min	0.25		Min	0.25		Min	0.25		Min	0.25		Min	0.25		
		Max	0.75		Max	0.75		Max	0.75		Max	0.75		Max	0.75		Max	0.75		Max	0.75		Max	0.75		
		Inches	0.01		0.03		0.01		0.03		0.01		0.03		0.01		0.03		0.01		0.03		0.01		0.03	
Band Gap	mm	0.5			1.4			1.4			2.0			2.2			2.2			2.9			2.9			
	Inches	0.019			0.055			0.055			0.078			0.087			0.087			0.114			0.114			
Rated Voltage d.c.		6.3	10	16	6.3	10	16	25	6.3	10/16	25	N/A			6.3	10	16	N/A			N/A			N/A		
Cap. Range	Code																									
0.5pF	0R5																									
1.0	1R0																									
1.2	1R2																									
1.5	1R5																									
1.8	1R8																									
2.2	2R2																									
2.7	2R7																									
3.3	3R3																									
3.9	3R9																									
4.7	4R7																									
5.6	5R6																									
6.8	6R8																									
8.2	8R2																									
10	100																									
12	120																									
15	150																									
18	180																									
22	220																									
27	270																									
33	330																									
39	390																									
47	470																									
56	560																									
68	680																									
82	820																									
100	101																									
120	121																									
150	151																									
180	181																									
220	221																									
270	271																									
330	331																									
390	391																									
470	471																									
560	561																									
680	681																									
820	821																									
1.0nF	102																									
1.2	122																									
1.5	152																									
1.8	182																									
2.2	222																									
2.7	272																									
3.3	332																									
3.9	392																									
4.7	472																									
5.6	562																									
6.8	682																									
8.2	822																									
10	103																									
12	123																									
15	153																									
18	183																									
22	223																									
27	273																									
33	333																									
39	393																									
47	473																									
56	563																									
68	683																									
82	823																									
100	104																									
120	124																									
150	154																									
180	184																									
220	224																									
270	274																									
330	334																									
390	394																									
470	474																									
560	564																									
680	684																									
820	824																									
1.0uF	105																									
2.2	225																									
3.3	335																									
4.7	475																									
6.8	685																									
10	106																									
22	226																									
33	336																									
47	476																									
100	107																									

Y5V/Z5U

	GMC21				GMC31				GMC32				GMC40				GMC43				GMC45				GMC55				GMC57							
Type	0805				1206				1210				1808				1812				1825				2220				2225							
Length	2.0 ρ 0.3				3.2 ρ 0.3				3.2 ρ 0.3				4.57 ρ 0.25				4.5 ρ 0.35				4.5 ρ 0.35				5.7 ρ 0.4				5.7 ρ 0.4							
	0.08 ρ 0.012				0.125 ρ 0.012				0.125 ρ 0.012				0.18 ρ 0.01				0.18 ρ 0.014				0.18 ρ 0.014				0.225 ρ 0.016				0.225 ρ 0.016							
Width	1.25 ρ 0.2				1.6 ρ 0.2				2.5 ρ 0.3				2.03 ρ 0.25				3.2 ρ 0.3				6.3 ρ 0.4				5.0 ρ 0.4				6.3 ρ 0.4							
	0.05 ρ 0.008				0.063 ρ 0.008				0.10 ρ 0.012				0.08 ρ 0.01				0.125 ρ 0.012				0.25 ρ 0.016				0.197 ρ 0.016				0.25 ρ 0.016							
Thickness	1.5				1.8				2.8				3.0				3.0				3.2				3.5				3.5							
	0.059				0.07				0.110				0.118				0.118				0.126				0.138				0.138							
Termination Band	Min		Max		Min		Max		Min		Max		Min		Max		Min		Max		Min		Max		Min		Max		Min		Max					
	0.25		0.75		0.25		0.75		0.25		0.75		0.25		0.75		0.25		0.75		0.25		0.75		0.25		0.75		0.25		0.75					
	0.01		0.03		0.01		0.03		0.01		0.03		0.01		0.03		0.01		0.03		0.01		0.03		0.01		0.03		0.01		0.03					
Band Gap	0.5				1.4				1.4				2.0				2.2				2.2				2.9				2.9							
	0.019				0.055				0.055				0.078				0.087				0.087				0.114				0.114							
Rated Voltage d.c.	6.3	10	16	25	6.3	10	16	25	6.3	10	16	25/35	6.3	10	16	25	6.3	10	16	25	6.3	10	16	25	6.3	10	16	25	6.3	10	16	25	6.3	10	16	25
Cap. Range	Code																																			
0.5pF	0R5																																			
1.0	1R0																																			
1.2	1R2																																			
1.5	1R5																																			
1.8	1R8																																			
2.2	2R2																																			
2.7	2R7																																			
3.3	3R3																																			
3.9	3R9																																			
4.7	4R7																																			
5.6	5R6																																			
6.8	6R8																																			
8.2	8R2																																			
10	100																																			
12	120																																			
15	150																																			
18	180																																			
22	220																																			
27	270																																			
33	330																																			
39	390																																			
47	470																																			
56	560																																			
68	680																																			
82	820																																			
100	101																																			
120	121																																			
150	151																																			
180	181																																			
220	221																																			
270	271																																			
330	331																																			
390	391																																			
470	471																																			
560	561																																			
680	681																																			
820	821																																			
1.0nF	102																																			
1.2	122																																			
1.5	152																																			
1.8	182																																			
2.2	222																																			
2.7	272																																			
3.3	332																																			
3.9	392																																			
4.7	472																																			
5.6	562																																			
6.8	682																																			
8.2	822																																			
10	103																																			
12	123																																			
15	153																																			
18	183																																			
22	223																																			
27	273																																			
33	333																																			
39	393																																			
47	473																																			
56	563																																			
68	683																																			
82	823																																			
100	104																																			
120	124																																			
150	154																																			
180	184																																			
220	224																																			
270	274																																			
330	334																																			
390	394																																			
470	474																																			
560	564																																			
680	684																																			
820	824																																			
1.0uF	105																																			
2.2	225																																			
3.3	335																																			
4.7	475																																			
6.8	685																																			
10	106																																			
22	226																																			
33	336																																			
47	476																																			
68	686																																			
100	107																																			

Multilayer Ceramic Chip Capacitors

COG Dielectric

Ultra stable class I dielectric: linear temperature coefficient, low loss, negligible change of electrical properties with time, voltage and frequency.

Operating Temperature Range	Temperature Coefficient	Temperature Voltage Coefficient (ΔC_{Max} @ V_{DcW})	Dissipation Factor	Insulation Resistance	Dielectric withstanding Voltage	Aging Rate	Test Parameters
-55°C to +125°C	0±30ppm/°C	0±30ppm/°C	0.1% Max, 0.02% Typical	<ul style="list-style-type: none"> • 25°C, V_{DcW}:: >100GΩF or 1000ΩF, whichever is less • 125°C, V_{DcW}:: >10GΩF or 100ΩF whichever is less 	3 X V_{DcW}	0% per decade hour	<ul style="list-style-type: none"> • $C \leq 1000pF$ f=1MHz V=1.0Vrms ±0.2Vrms T=25°C • $C > 1000pF$ f=1KHz V=1.0Vrms ±0.2Vrms T=25°C

X7R Dielectric

Stable class II dielectric (EIA X7R)

Operating Temperature Range	Temperature Coefficient	Temperature Voltage Coefficient (ΔC_{Max} @ V_{DcW})	Dissipation Factor	Insulation Resistance	Dielectric withstanding Voltage	Aging Rate	Test Parameters
-55°C to +125°C	±15%	X7R Not Applicable	2.5% Max, 1.8% Typical	<ul style="list-style-type: none"> • 25°C, V_{DcW}:: >100GΩFor 1000ΩF, whichever is less • 125°C, V_{DcW}:: >10GΩF or 100ΩF whichever is less 	2.5 X V_{DcW}	<2% per decade hour	1KHz, 1.0Vrms ±0.2Vrms 25°C values > or = to 10uF 1.0Vrms 120Hz

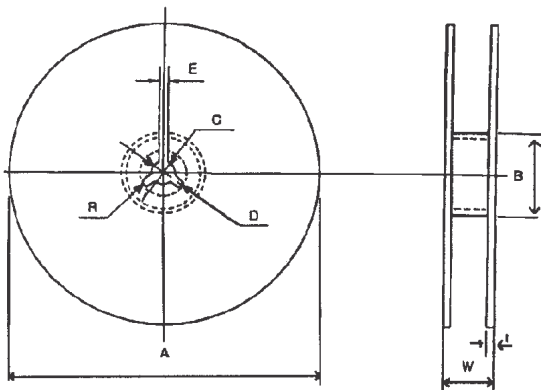
**Multilayer Ceramic Chip Capacitors - Z5U (Y5V)
Dielectric**

High capacitance per unit volume: general purpose product

Operating Temperature Range	Temperature Coefficient	Dissipation Factor	Insulation Resistance	Dielectric withstanding Voltage	Aging Rate	Test Parameters
-30°C to +85°C	+22% to -82%	3.0% Max, 2.0% Typical	10GΩ or 100ΩF whichever is less, 25°C, V _{DCW}	2.5 X V _{DCW}	3.0% per decade hour	1KHz, 1V _{rms} 25°C values > or = to 10uF 1.0V _{rms} 120Hz

Packaging (Taping)

(Reel Type-Size)



Standard Reel

Unit:mm

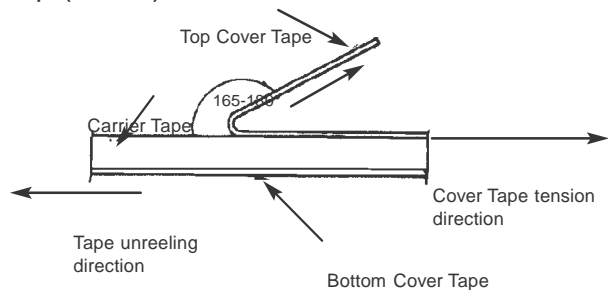
A	B	C	D	E	W	t	R
ø178 ±2.0	ø50 min.	ø13.0 ±0.5	ø21.0 ±0.8	2.0 ±0.5	14.9 ±1.5	0.8 ±0.2	1.0

10000 units per reel OPTIONAL

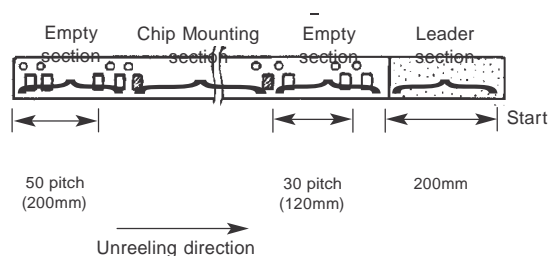
Unit:mm

A	B	C	D	E	W	t	R
ø250 ±2.0	ø50 min.	ø13.0 ±0.5	ø21.0 ±0.8	2.0 ±0.5	10.0 ±1.5	0.8 ±0.2	1.0

Carrier Tape (Standard)



- To peel off the cover tape by the method shown in the right figure apply a peel-off force of 20 gf - 60 gf (card board); 35 gf - 75 gf (plastic tape).
- The cover tape should not touch the top or bottom of the chip.
- If the cover tape has been peeled off it may be difficult to remove the chip due to punch-hole clearance, dirt, and debris. Make sure therefore that no paper waste will adhere to and block the absorption nozzle.
- If the cover tape has been peeled off from the top, stick it back on with a suitable adhesive.
- Follow the illustration for the start and end of the winding operation.



Multilayer Ceramic Chip Capacitors

- Cardboard carrier tape for 0402, 0603 type and 0805/1206 type

Unit: mm

Type	A	B	F	P ₁	P ₀	t ₁	t ₂							Mounting Hole	Quantity per Reel
0402	0.7±0.2	1.3±0.2						2.0±0.05						Angular Punch Hole	10000
0603	1.1±0.2	1.9±0.2											4000		
0805	1.65±0.2	2.4±0.2	8.0±0.3	3.5±0.05	1.75±0.1	4.0±0.1	2.0±0.05	4.0±0.1	ø1.5 ^{+0.1} ₋₀	1.1 max	1.4 max	4000 to 5000*			
1206	2.0±0.2	3.6±0.2											4000 to 5000*		

*Dependent on chip thickness

- Embossed plastic carrier tape for 0805/1206 type and 1210 type

Unit: mm

Type	A	B	W	F	E	P ₁	P ₂	P ₀	D ₀	t ₁	t ₂	Mounting Hole	Quantity per Reel
0805	1.45±0.2	2.3±0.2										Angular	2000 to 5000*
1206	2.0±0.2	3.6±0.2	8.0±0.3	3.5±0.05	1.75±0.1	4.0±0.1	2.0±0.05	4.0±0.1	ø1.5 ^{+0.1} ₋₀	0.6 max	2.5 max	Embossed Hole	2000 to 5000*
1210	2.9±0.2	3.6±0.2											2000 to 4000*

*Dependent on chip thickness

- Embossed plastic carrier tape for 1812, 1825, 2220 and 2225 type

Unit: mm

Type	A	B	W	F	E	P ₁	P ₂	P ₀	D ₀	t ₁	t ₂	Mounting Hole	Quantity per Reel
1812	3.6±0.2	4.9±0.2										Angular Embossed Hole	1000
1825	6.8±0.3	4.9±0.2	12.0±0.3	5.5±0.05	1.75±0.1	8.0±0.1	2.0±0.05	4.0±0.1	ø1.5±0.1	0.6 max.	6.5 max.		1000
2220	5.5±0.3	6.2±0.3											1000
2225	6.8±0.3	6.2±0.3											1000

*Dependent on chip thickness

Multilayer Ceramic Chip Capacitors - All Dielectrics

Tape and Reel Packing Quantities

Chip Size	178 mm (7") Reel	330 mm (13") Reel
0402	10,000	N/A
0603	4,000	16,000
0805	4,000	12,000
1206	4,000	15,000
1210	2,000 , 4,000	8,000
1812	1,000	4,000
1825	1,000	4,000
2220	1,000	4,000
2225	1,000	4,000

The tape and reel packing quantities apply to voltages up to 200V rating only.

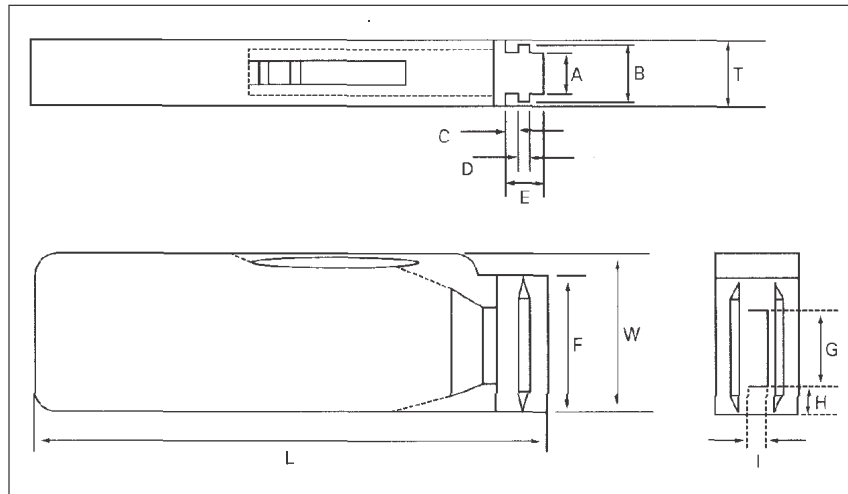
The 0402 and 0603 size chips have similar width and thickness dimensions.

Multilayer Ceramic Chip Capacitors

BULK CASE

- The bulk feeding system can increase the productivity.
- It can eliminate the components loss.

• Structure and Dimension



Symbol	A	B	T	C	D	E
Dimension	6.8±0.1	8.8±0.1	12±0.1	1.5 ^{+0.1} , -0	2 ⁺⁰ , -0.1	4.7±0.1

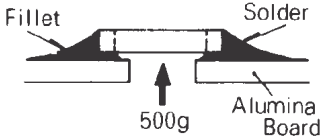
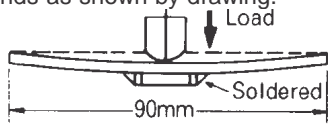
Symbol	F	W	G	H	L	I
Dimension	31.5 ^{+0.2} , -0	36 ⁺⁰ , -0.2	19±0.35	7±0.35	110±0.7	5±0.35

• Quantity

Size	04(0402)	10(0603)	21(0805)	
			T≤0.85mm	T≥1.0mm
Quantity	80,000	15,000	10,000	5,000

Multilayer Ceramic Chip Capacitors

RELIABILITY AND TEST CONDITIONS

Item	Specification	Test Method
Capacitance	Within tolerance shown by part number code	<ul style="list-style-type: none"> Class (I) C<1000pF:1MHz±10%, 0.5 to 5Vrms C≥1000pF:1KHz±10%, 1.0±0.2Vrms Class (II) 1KHz±10%, 1.0±0.2Vrms values > or = to 10uF 1.0Vrms 120Hz
Dissipation Factor (tanδ or Q)	<ul style="list-style-type: none"> Class (I) C<30pF:Q≥400+20xC C≥30pF:Q≥1000 Class (II) X7R:DF≤2.5% Y5V/Z5U:DF≤3.0% 	
Insulation Resistance(IR)	NPO-XR7: C≤50,000pF: IR≥100GΩ C>50,000pF: IR≥500MΩ. Per Uf. Y5V/Z5U: IR≥10GΩ	Apply rated voltage for 60 seconds at room temperature and normal humidity. (70% RH max)
Dielectric Withstanding Voltage	There shall be no evidence of damage or flash over during the test	Apply 3 x rated voltage (Class I) or 2.5 x rated voltage (Class II) to both terminations for 5 seconds. Charge and discharge current are less than 50mA.
Termination Adherence	No mechanical damage	 <p>Care shall be taken to avoid thermal shock. 500g of steady pull is applied in direction of arrow for 1 minute.</p>
Bend Strength	No mechanical damage	<p>After soldering capacitor on the glass-epoxy PWB, 2 mm of vending shall be applied for 10 seconds as shown by drawing.</p> 
Life Test (High Temperature Loading Test)	ΔC	Applied 2 x rated voltage at maximum operating temperature for 1000 hours. The surge current shall not exceed 50mA after above testing condition, test samples shall be kept in room temperature for 24 hours (Class I) or 48 hours (Class II), and then shall be measured.
	Q or DF	
	IR	

Multilayer Ceramic Chip Capacitors

RELIABILITY AND TEST CONDITIONS

Item	Specification	Test Method
Moisture Test	<ul style="list-style-type: none"> Class (I) No more than $\pm 5\%$ or $\pm 0.5\text{pF}$ whichever is larger Class (II) X7R:$\pm 10\%$ Y5V/Z5U:$\pm 30\%$ 	<p>The capacitors shall be subjected to 40°C, 90-95%RH for 500 hours.</p> <p>After above testing condition, samples shall be kept in room temperature for 24 hours (Class I) or 48 hours (Class II), and then shall be measured.</p>
	<ul style="list-style-type: none"> Class (I) $C < 10\text{pF}$:$Q > 200 + 10 \times C$ $10 \leq C < 30\text{pF}$:$Q \geq 275 + 5/2 \times C$ $C \geq 30\text{pF}$:$Q \geq 350$ Class (II) X7R:DF$\leq 5.0\%$ Y5V/Z5U:DF$\leq 7.5\%$ 	
	IR 1000M Ω or 50 ΩF , whichever is less	
Moisture Resistance Test	<ul style="list-style-type: none"> Class (I) No more than $\pm 7.5\%$ or $\pm 0.75\text{pF}$ whichever is larger Class (II) X7R:$\pm 10\%$ Y5V/Z5U:$\pm 30\%$ 	<p>Apply rated voltage at 40°C, 90-95%RH for 500 hours.</p> <p>The surge current shall not exceed 50mA. After testing with above condition, samples shall be kept in room temperature for 24 hours (Class I) or 48 hours (Class II), and then shall be measured.</p>
	<ul style="list-style-type: none"> Class (I) $C < 30\text{pF}$:$Q > 100 + 100/3 \times C$ $C \geq 30\text{pF}$:$Q \geq 200$ Class (II) X7R:DF$\leq 5.0\%$ Y5V/Z5U:DF$\leq 7.5\%$ 	
	IR 500M Ω or 25 ΩF , min whichever is less	
Temperature Cycle	<ul style="list-style-type: none"> Class (I) No more than $\pm 2.5\%$ or $\pm 0.25\text{pF}$ whichever is larger Class (II) X7R:$\pm 5\%$ Y5V/Z5U:$\pm 20\%$ 	<p>Perform 5 cycles as follow:</p> <ol style="list-style-type: none"> Room temperature. Dwell for 15 minutes. Minimum operating temperature, dwell for 30 minutes. Room temperature, dwell for 30 minutes. Maximum operating temperature, dwell for 30 minutes. <p>After above testing condition, samples shall be kept in room temperature for 24 hours (Class I) or 48 hours (Class II), and then shall be measured.</p>
	Q or DF To satisfy the specified initial value.	
	IR To satisfy the specified initial value.	
Solderability	Termination area shall be at least 95% covered with a new solder coating. There shall be no crack and ceramic exposure of terminated surface by melting.	The capacitors are completely immersed during 4 ± 0.5 seconds in the molten solder with a temperature of $230 \pm 5^\circ\text{C}$.
Resistance to Solder Heat Test	<ul style="list-style-type: none"> Class (I) No more than $\pm 2.5\%$ or $\pm 0.25\text{pF}$ whichever is larger Class (II) X7R:$\pm 5\%$ Y5V/Z5U:$\pm 20\%$ 	<p>Immerse into molten solder at $270 \pm 5^\circ\text{C}$ for 3 ± 0.5 seconds.</p> <p>Preheat before immersion.</p> <ol style="list-style-type: none"> $80 \sim 100^\circ\text{C}$ for 2 minutes. $150 \sim 180^\circ\text{C}$ for 2 minutes. $270 \pm 5^\circ\text{C}$ for 3 ± 0.5 seconds. <p>The capacitance measurement shall be made after sample keeping at room temperature for 24 hours.</p>
Q or DF To satisfy the specified initial value.		
IR To satisfy the specified initial value.		

Multilayer Ceramic Chip Capacitors

**APPLICATION MANUAL FOR
SURFACE MOUNTING**

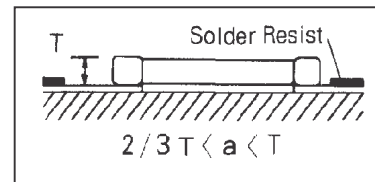
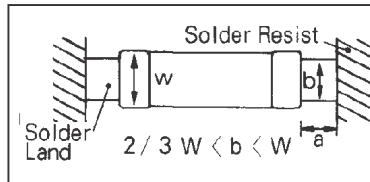
1. Temperature / Humidity Control

Since dew condensation may occur by the differences in temperature when the products are take out of storage, it is important to maintain a temperature-controlled environment.

2. Design of Solder Land Pattern

When designing printed circuit boards, the shape and size of the solder lands must allow for the proper amount of solder on the capacitor. The amount of solder at the end terminations has a direct effect on the probability that the chip will crack. The greater amount of solder, the larger amount of stress on the chip, and the more likely that it will break. Use the following illustrations as guidelines for proper solder land design.

Recommendation of solder land shape and size.



3. Adhesives

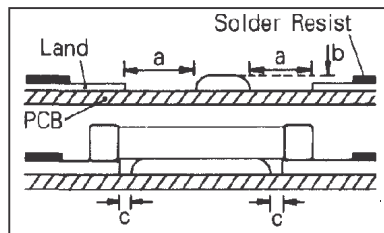
MLCCs generally require the use of an adhesive to adhere the chips to the circuit board prior to wave soldering.

3-1. Requirements for Adhesives

- They must have enough adhesion so that the chips will not fall off or move during the handling of the circuit board.
- They must maintain their adhesive strength when exposed to soldering temperatures.
- They should not spread or run when applied to the circuit board.
- They should have a long pot life.
- They should harden quickly.
- They should not corrode the circuit board or chip material.
- They should be a good insulator.
- They should be non-toxic, and not produce harmful gases, nor be harmful when touched.

3-2. Application Method

It is important to use the proper amount of adhesive. Too little will cause poor adhesion to the circuit board, and too much may strain the conductor pattern, thereby causing defective soldering. The following illustrations show the proper quantity of adhesive.



(Unit: mm)

Type	21	31
a	0.2 min	0.2 min
b	70~100µm	70~100µm
c	>0	>0

3-3. Adhesive Hardening Characteristics

To prevent oxidation of the terminations, the adhesive must harden at 160°C or less, within 2 minutes or less.

Multilayer Ceramic Chip Capacitors

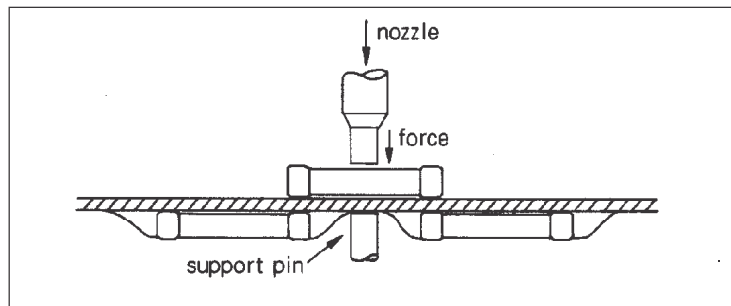
4. Mounting

4-1. Mounting Head Pressure

Excessive pressure will cause chip capacitors to crack. The pressure between nozzle and chip capacitor will be 300g maximum during mounting.

4-2. Bending Stress

Bending of printed circuit board by mounting head when double-sided circuit boards are used, chip capacitors first are mounted and soldered onto one side of the board. When the capacitors are mounted onto the other side, it is important to support the board as shown in the illustration. If the circuit board is not supported, it may bend, causing the already installed capacitors to crack.



5. Flux

Although highly activated flux gives better solderability, substances which increase activity may also degrade the insulation of the chip capacitors. To avoid such degradation, it is recommended that a mildly activated rosin flux (less than 0.2% chlorine) be used.

6. Soldering

Since a multilayer chip ceramic capacitor comes into direct contact with melted solder during soldering, it is exposed to potentially damaging mechanical stress caused by the sudden temperature change. The capacitor may also be subject to silver migration, and to contamination by the flux. Because of these factors, soldering technique is critical.

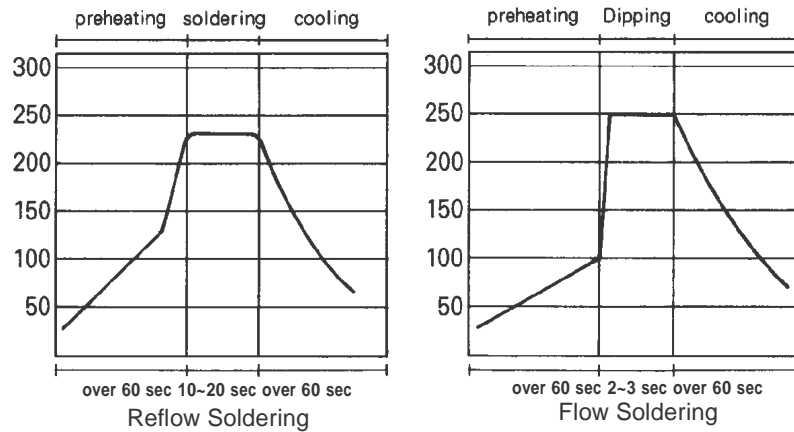
6-1. Soldering Methods

Method	Classification	
Reflow Soldering	Mass reflow	<ul style="list-style-type: none"> • IR/Convection • VPS (Vapor phase)
	Selective reflow	<ul style="list-style-type: none"> • Hot air/gas • Laser
Flow Soldering	Dual Wave	

6-2. Soldering Profile

To avoid the crack problem by sudden temperature change, follow the temperature profile in the adjacent graph.

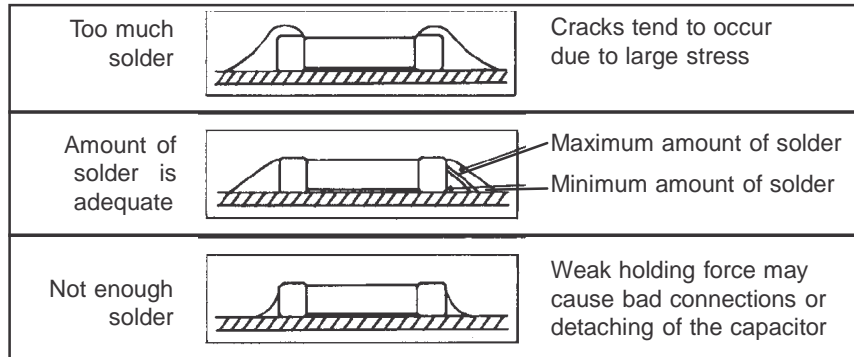
Multilayer Ceramic Chip Capacitors



6-3. Manual Soldering

Manual Soldering can pose a great risk of creating thermal cracks in chip capacitors. The hot soldering iron tip comes into direct contact with the end terminations, and operator's carelessness may cause the tip of the soldering iron to come into direct contact with the ceramic body of the capacitor. Therefore the soldering iron must be handled carefully, and close attention must be paid to the selection of the soldering iron tip and to temperature control of the tip.

6-4. Amount of Solder



6-5. Cooling

Natural cooling using air is recommended. If the chips are dipped into solvent for cleaning, the temperature difference (ΔT) must be less than 100°C.

6-6. Cleaning

If rosin flux is used, cleaning usually is unnecessary. When strongly activated flux is used, chlorine in the flux may dissolve into some types of cleaning fluids, thereby affecting the chip capacitors. This means that the cleaning fluid must be carefully selected, and should always be new.

7. Notes for Separating Multiple, Shared PC Boards

A multi-PC board is separated into many individual circuit boards after soldering has been completed. If the board is bent or distorted at the time of separation, cracks may occur in the chip capacitors. Carefully choose a separation method that minimizes the bending of the circuit board.

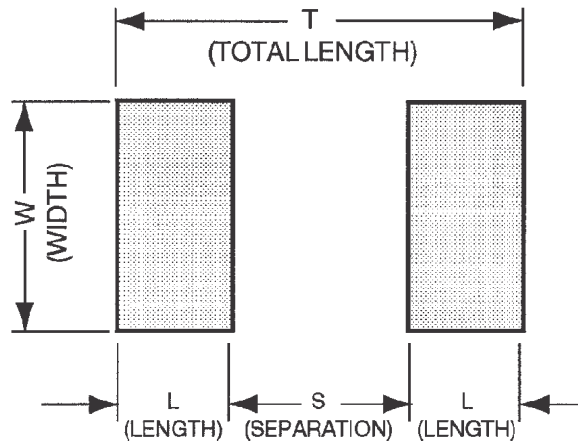
Multilayer Ceramic Chip Capacitors

**APPLICATION INFORMATION ON SOLDER PAD DESIGN
FOR SURFACE MOUNT CHIP CAPACITOR**

Recommended Pad Dimensions

Chip Size	Dimensions (inches)			T
	L	W	S	
0402*	0.021	0.022	0.017	0.059
0603*	0.035	0.030	0.030	0.100
0805	0.040	0.050	0.040	0.120
1206	0.040	0.065	0.080	0.160
1210	0.040	0.100	0.080	0.160
1812*	0.050	0.120	0.130	0.230
1825*	0.050	0.250	0.130	0.230
2220	0.050	0.250	0.130	0.230
2225*	0.050	0.250	0.170	0.270
3640*	0.060	0.400	0.300	0.420

*These sizes are recommended for use with IR and vapor phase soldering only.



NOTICE: Specifications are subject to change without notice. Contact your nearest Passive Plus Inc. Sales Office for the latest specifications.

All statements, information and data given herein are believed to be accurate and reliable, but are presented without guarantee, warranty, or responsibility of any kind, expressed or implied. Statements or suggestions concerning possible use of our products are made without representation or warranty that any such use is free of patent infringement and are not recommendations to infringe any patent. The user should not assume that all safety measures are indicated or that other measures may not be required. Specifications are typical and may not apply to all applications.

Passive Plus Inc (631) 425 0938 www.passiveplus.com sales@passiveplus.com
2008 Rev AA